

Fitting chassis

for truck tractor

- 2-axle-professional-chassis Art.-Nr. 734
- 3-axle-professional-chassis Art.-Nr. 731

for Rigid truck:

- 3-axle-professional-chassis I..... Art.-Nr. 733

For various other possibilities of outfit please find our suggestions and tips in the **WEDICO** catalogue.

- Art.-Nr. **SC 840** white
- Art.-Nr. **SC 841** yellow
- Art.-Nr. **SC 842** red
- Art.-Nr. **SC 843** blue
- Art.-Nr. **SC 631** no colour
- Art.-Nr. **SSC 844** white
- Art.-Nr. **SSC 845** yellow
- Art.-Nr. **SSC 846** red
- Art.-Nr. **SSC 847** blue
- Art.-Nr. **SSC 632** no colour

Accessories (options):

- | | |
|-----------------------------|---------------------------|
| Electrical system „MF“ | Art. - Nr. 796 |
| RC-Antenna | Art.- Nr. 155 |
| Diesel Engine Noise | Art.- Nr. 193 |
| NC Akku | Art.- Nr. 196 |
| Front frame with 4 lamps | Art.- Nr. 865 |
| Auspuff | Art.- Nr. |
| Roof and side spoiler SC | Art.- Nr. 848-849-850-851 |
| Sun visor SC | Art.- Nr. 860 |
| Roof frame with 4 lamps SC | Art.- Nr. 863 |
| Roof and side spoiler SSC | Art.- Nr. 852-853-854-855 |
| Sun visor SSC | Art.- Nr. 866 |
| Roof frame with 4 lamps SSC | Art.- Nr. 864 |
| Side guards 2-axle | Art.- Nr.856-857-858-859 |
| Fender single rear axle | Art.- Nr. 861 |
| Fender 2 rear axle | Art. - Nr.862 |

For various other possibilities of outfit please find our suggestions and tips in the **WEDICO** catalogue.

Technical description

Cab Die cast aluminium and sheet, stainless steel threaded connectors and bending wire components, high impact plastic components. All individual parts are screwed. All models may be dismantled and reassembled again. Cab tilt able. The roof -together with the top device of the rear panel- is detachable. Model is prepared for R/C-installation.

Finis Extremely hard epoxy powder coating. Excellent base when repainting for special purposes

Measurements: Length over all 415 mm
 (including Width over all 175 mm
 Chassis, Height over all SC 225 mm
 Art.-No. 734 Height over all SSC 247mm
 Track (tread) front 140 mm
 Track (tread) rear 116 mm
 Weight without drive 2.1 kg

Dear modelling enthusiast!

We are glad that you have decided on one of the precious **WEDICO** truck models! For the manufacture of individual parts **WEDICO** uses durable materials of high quality - rarely to find in these days. This guarantees durability and enjoyment of your model for years to come.

If you should ever require replacement parts, please get in touch with your dealer or directly with **WEDICO**. For order purpose it is important using not only those EDP-numbers mentioned within the general parts list but also indicating the necessary details concerning colour, quantity and exact term of the spares required. You may be assured that **WEDICO** will supply the replacement part as quick as possible.

Enjoy assembling your truck!

You're **WEDICO**-Team

The assembly instruction

Please follow the steps of assembly accordingly to the instructions. Each single assembly step is described and illustrated, and furthermore does the **parts list** indicate the required components for the actual construction step. Carefully observe the notes explaining the various steps of assembly and use only those parts which are provided. This will insure a correct result of assembly.

Individual assembly parts contained in **different kits** are denoted with their part number in **brackets**. **Accessories** are indicated on the assembly plan with the appropriate **Art.-No.** **Individual components in the accessory kits** are denoted by bold-face **A in front of the identification number** and not included in the parts list.

For easier identification of different screws and washers, on the left side of this page we are adding an illustration of the **most important parts at original scale**. Not illustrated parts are to be identified by comparing the proportion.

© 2007 by **WEDICO**, Wartburgstrasse 21, D-42285 Wuppertal Germany
 We can assume no liability for technical or typographical errors.
 We reserve the right to incorporate technical modifications.
 Duplication and reproduction only with our express consents

Screws, washers, etc at scale 1:1

Complete list of parts necessary for the assembly (please use number when ordering spare parts)

General notes

Before you start the assembly of your cab you must have decided:

- whether to mount the cab with or without the sleeper,
- whether your truck should be used as a static model (without the electrical equipment and without radio controlled functions) or as a driving model.

The assembly instruction

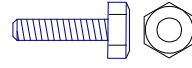
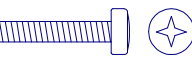
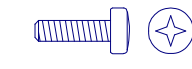
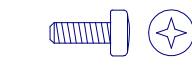

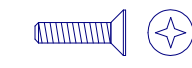
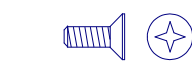




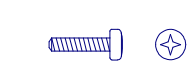








Please follow the steps of assembly accordingly to the instructions. Each single assembly step is described and illustrated, and furthermore does the **parts list** indicate the required components for the actual construction step. Carefully observe the notes explaining the various steps of assembly and use only those parts which are provided. This will insure a correct result of assembly.

Individual assembly parts contained in **different kits** are denoted with their part number in **brackets**. **Accessories** are indicated on the assembly plan with the appropriate **Art.-No.** **Individual components in the accessory kits** are denoted by a **boldface A in front of the identification number** and not included in the parts list.

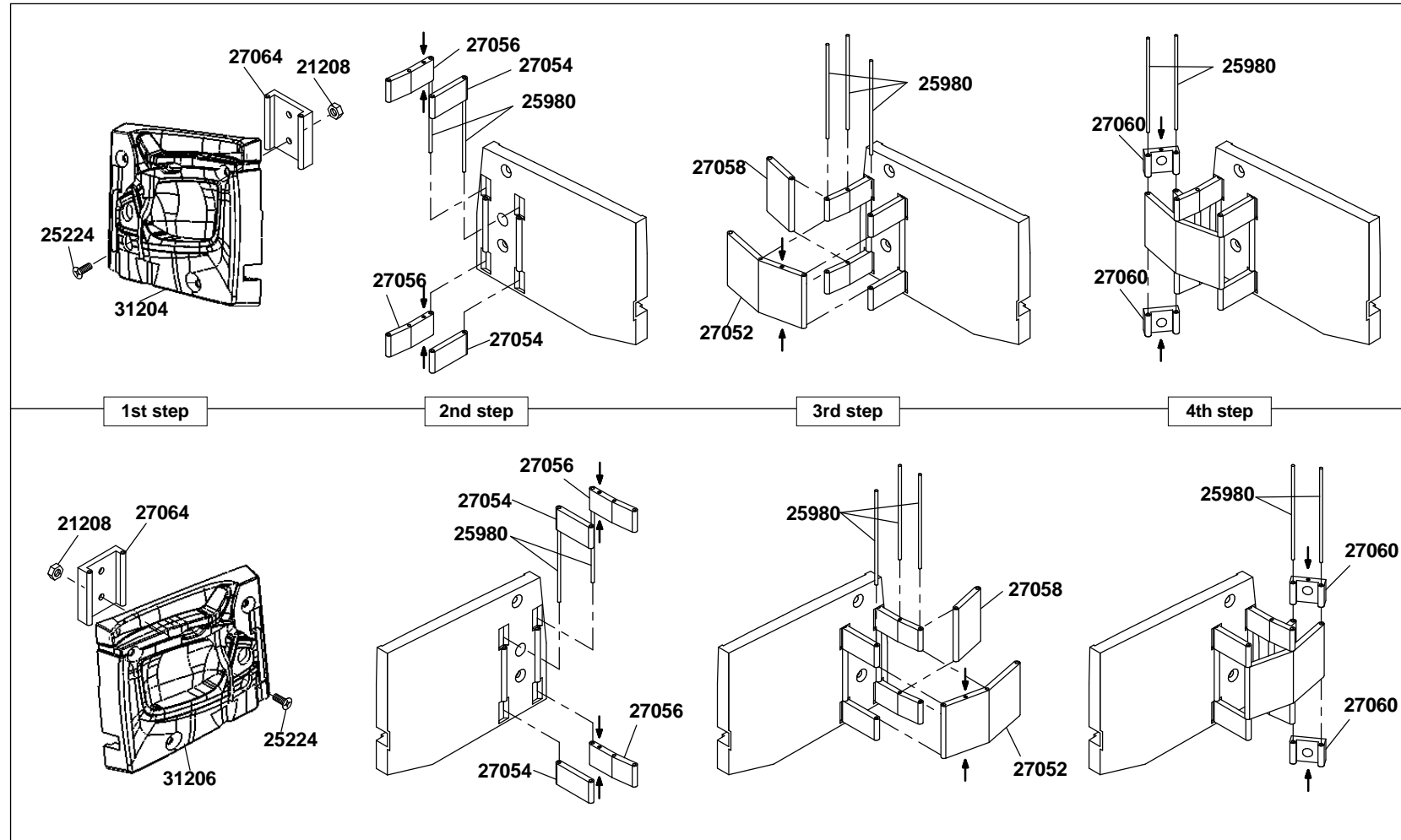
For easier identification of different screws and washers, on the left side of this page we are adding an illustration of the **most important parts at original scale**. Not illustrated parts are to be identified by comparing the proportion.

Screw

Qty.	Part Nr.	Assembly part	Basic size	Length
20	20016	Raised cheese head screw	M3	6
13	20018	Raised cheese head screw	M3	8
2	20020	Raised cheese head screw	M3	10
2	20024	Raised cheese head screw	M3	16
20	20028	Countersunk screw	M3	6
12	20030	Countersunk screw	M3	8
2	20032	Countersunk screw	M3	12
20	20040	Nut	M3	
30	20044	Square nut	M3	
14	20046	Washer	3,2	
4	20056	Spring washer	3,2	
10	21208	Nut	M2	
10	21210	washer	2,2	
10	21268	Raised cheese head screw	M2	6
10	25072	Raised cheese head screw	2,2	4,5
4	25224	Countersunk screw	M2	5
2	26236	Raised cheese head screw	M2	4
9	26238	Raised cheese head screw	M2	5
4	26252	Countersunk head tapping screw	2,2	6,5
6	29846	Countersunk screw	M2	4
4	30122	Hex head screw	M3	12

	Hex head screw M3 x 12 Artikel 30122 DIN 933
	Raised cheese head screw M3 x 16 Artikel 20024 DIN 7985
	Raised cheese head screw M3 x 10 Artikel Nr.: 20020 DIN 7985
	Raised cheese head screw M3 x 8 Artikel 20018 DIN 7985
	Raised cheese head screw M3 x 6 Artikel 20016 DIN 7985
	Countersunk screw M3 x 12 Artikel Nr.: 20032 DIN 965
	Countersunk screw M3 x 8 Artikel 20030 DIN 965
	Countersunk screw M3 x 6 Artikel 20028 DIN 965
	Countersunk head tapping screw Ø2,2 x 6,5 Article 20252 DIN 7982
	Countersunk head tapping screw Ø2,2 x 4,5 Article 25072 DIN 7982
	Tapping screw Ø2,2 x 4,5 Article 20052 DIN 7981
	Raised cheese head screw M2 x 8 Artikel 21269 DIN 7985
	Raised cheese head screw M2 x 6 Artikel 21268 DIN 7985
	Raised cheese head screw M2 x 5 Artikel Nr.: 26238 DIN 7985
	Raised cheese head screw M2 x 4 Artikel Nr.: 26236 DIN 7985
	Nut M3 Artikel 20040 DIN 934
	Square nut M3 Artikel 20044 DIN 562
	Nut M2 Artikel 21208 DIN 934
	Spring washer Ø3,2 Artikel 20056 DIN 137
	Washer Ø2,2 Artikel-Nr.21210 DIN125

Qty.	No.	Assembly part	Qty.	No.	Assembly part	Qty.	No.	Assembly part
2	20084	Door handle	2	31238	Door handle	1	31368	Front connection plate left
2	20086	Door lock	2	31240	Door look	1	31370	Front connection plate right
2	20088	Spring bashing Ø 4 x 0,5 x 7	2	31242	Door handle frame	1	A31372	Roof SSC spoiler left
2	20260	Spring for landing gear lever	2	31244	Door windshield stripe	1	A31374	Roof SSC spoiler right
1	20292	welsh plug, oval	2	31246	Mirror upper	1	A31376	Roof SSC spoiler
1	21963	Seat rar panel	2	31250	Mirror lower	1	A31378	Roof SC spoiler left
4	A 24262	Lamp lens VOLVO	4	31254	Seat mirror frame	1	A31380	Roof SC spoiler right
14	25980	Pin for door hinge Ø 1 x 36mm	1	31256	Light frame left	1	A31382	Roof SC spoiler
2	26030	Seat under part	1	31258	Light frame right	1	A31384	Side guard left
2	26032	Seat back	1	A31260	Front frame	1	A31386	Side guard right
2	26036	U-bow for seat	1	A31262	Front frame below	4	A31388	Support side guard left
2	27952	Door hinge part 1	1	A31264	Light frame upper SSC	4	A31390	Support side guard right
4	27054	Door hinge part 2	1	A31266	Light frame lower SSC	1	31392	Mirror foil left
4	27056	Door hinge part 3	1	A31268	Light frame upper SC	1	31394	Mirror foil right
2	27058	Door hinge part 4	1	A31270	Light frame lower SC	1	31396	Mirror foil lower
4	27060	Support 1 door hinge	1	31272	Step board right	1	31398	Mirror foil lower right
2	27062	Support 2 door hinge	1	31274	Step board middle	2	31400	Door window
1	27256	Locking device cab ACTROS	1	31276	Front LOGO "D"	1	31404	Mirror holder right
1	27258	Locking device base ACTROS	1	31278	Front LOGO "A"	1	31406	Mirror holder left
1	27260	Locking device counter plate AC	1	31280	Front LOGO "F"	1	31408	Holder step board
2	27262	Stop device - cab lock	1	31282	Front LOGO "F" left	1	31416	Holder mud guard front right
1	27266	Akku plate	1	31284	Front LOGO "X" left	1	31418	Holder mud guard front left
1	27278	Fixing angle for the side panels	2	31286	LOGO "D" door	1	31426	LOGO EURO 5
1	27290	Gide sheet for roof	2	31288	LOGO "A" door	2	A26846	Support mud guard
1	27292	Locking sheet for roof left	2	31290	LOGO "F" door	2	A26848	Fixing plate 1
1	27294	Locking sheet for roof right	1	31292	Front name plate	2	A26850	Fixing plate 2
1	27386	Screw terminal strip 7 pol. Pin	2	31294	Lateral name plate			
1	27388	Screw terminal strip 7 pol. Sok-	1	A31296	Hole cover			
1	27392	Adapter plate left	1	A31298	Mud guard front left			
1	27394	Adapter plate right	1	A31300	Mud guard front right			
3	27412	Bolt with tread, brass	4	A31302	Rear mud guard middle			
1	31172	Roof SSC	1	A31308	Rear mud guard part left			
1	31174	Roof Sc	1	A31310	Rear mud guard part right			
1	31176	Front panel	1	A31312	Rear mud guard rear part left			
1	31178	Panel left	1	A31314	Rear mud guard rear part right			
1	31180	Panel right	2	A31316	Rear frame light frame			
1	31182	Door plate left	2	A31318	Light frame			
1	31184	Door plate right	2	A31320	Mud flap			
1	31186	Foot step left	6	A 30448	C look			
1	31188	Foot step right	1	31324	Roof SSC - left light housing			
2	31190	Mirror rear cover	1	31326	Roof SSC - right light housing			
2	31194	Mirror rear cover elow	1	31328	Front windshield			
1	31198	Dashboard	1	31330	Top windshield			
1	31200	Gear shifter	1	A31332	Sun visor SSC			
1	31202	Steering wheel	1	A31334	Sun visor SC			
1	31204	Door panel plate left	1	31336	Front light left			
1	31206	Door panel plate right	1	31338	Front light right			
1	31208	Fender left	4	31340	Fog light lens			
1	31210	Fender right	4	31342	Lateral light lens			
1	31212	Spoiler left	8	31344	Rear light lens - 2x clear; 2 x yellow;			
1	31214	Spoiler right	1	31346	Roof SSC light lens right			
1	31216	Front grill	1	31348	Roof SSC light lens left			
1	31218	Front panel - deco strip 1	1	31350	Roof SC light lens right			
1	31220	Front panel - deco strip 2	1	31352	Roof SC light lens left			
1	31222	Front panel - deco strip 3	1	31354	Rear plate upper			
1	31224	Front windshield-bottom deco	1	31356	Rear plate lower			
1	31226	Front windshield-left deco stripe	2	31358	Lateral step plate upper			
1	31228	Front windshield-middle deco	2	31360	Lateral step plate middle			
1	31230	Front windshield-left deco stripe	2	31362	Lateral step plate lower			
3	31232	Wiper	2	31364	Fixing plate			
2	31234	Front wheel - mud guard	1	31366	Grill lower plate			



3. Pre mounting of the doors

The following text describes the assembly of the left door only; the attachment of the right-hand door has to be done accordingly.

3.1 Assembly of the hinge parts (ill. 3.1)

Drawings in the upper line show the assembly of the right-hand side, those in the lower line the assembly of the left-hand side.

When adding the hinge pins make sure that all hinge components are in correct position. This is very important for both, the function and the correct fitting of the cab door. For a better orientation some of the components are specially marked (see corresponding arrows in the drawing). Please refer to **ill. 3b** That shows not only the hinge components at original size and completely assembled but also the correct position of the angled hinge components (length of leg and angle position).

1st step: Lay the hinge support **27064** from inside into both long openings on the left inside door panel **31204**; press then one nut **21208** into the hexagonal slot of the support and fix it from outside using one countersunk screw **25224**.

2nd step: Push one hinge pin **25980** into the hole on the longer leg (note the corresponding mark!) of one of the door hinges **27056** until the top of the pin sits flush. From the below press then this pin through that hole provided for on the support you have already pre-mounted. On the bottom insert a second hinge pin **27056** (note the corresponding mark!); use an appropriate tool to push it into place until the upper door hinge snaps into that slot on the inside door panel. The two door hinges **27054** have to be mounted in the same way.

3rd step: Now set the door hinge **27058** between both already pre-mounted angled hinges (use the centre holes) and fix it with a further pin **25980**. Afterwards the shorter leg (note the corresponding mark!) of the hinge **27052** has to be added to the other hinges in the same way.

4th step: Attention! The holes on the supports **27060** are not central! Note the correct position of the corresponding mark when mounting the supports along with pins **25980** to the free holes of the hinges!

3.2 Assembly of the doors (ill. 3.2)

First remove the two foils of the door windows **31400/31402**. Now take the mirror support right **31404**, the mirror frame rear top right **31190**, the mirror frame rear below right **31194**, the mirror frame right **31248**, the mirror frame below right **31252** and each 3 countersunk screws **29846** M2 x 4 and fix herewith the complete mirror. The mirror support left **31406** is mounted in the same way. Fix both mirrors to the door panels with raised cheese head screws **26238** M2 x 5, raised cheese head screws **26236** (top) washers **21210** Ø 2,2 and each 2 Seat mirror frame **31254** of the mirror supports. Stick the mirror foils **31392/ 31394/ 31396/ 31398** on the corresponding mirror supports. Press the two mirror ledge **31244** into the door windows.

Lay the door panel inside up on a flat base. Now the door lock **31240** is put into the door panel **31204** that the gaps are visible. The door handle **31238** is put with two bolts, the handle showing inside, into the door panel. The recessed grip **31242** is pushed, the frame upside, on to the handle. Now lay the door on the door panel. The Recessed grip is carefully pushed on the door. Both parts are pressed together and aligned. Fix the door panel with a countersunk head tapping screw **25072** Ø 2,2 x 4,5, into the lowest bore hole. Tighten the screws only slightly. Now push the door window with the mirror ledge into the door frame. The door panel is then fixed with two countersunk head tapping screws **25072**.

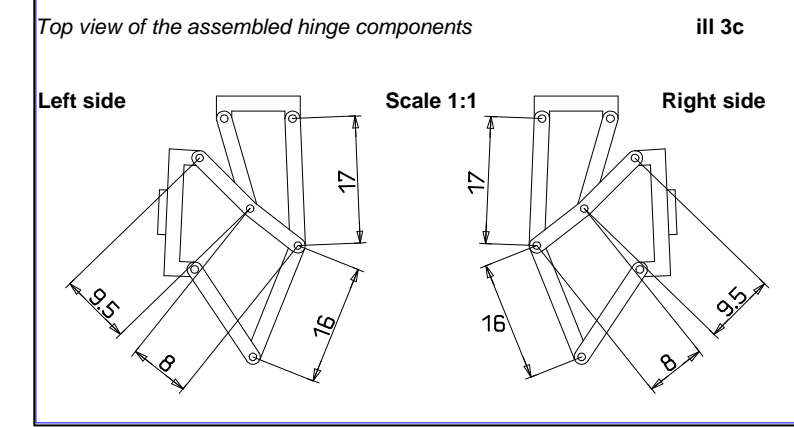
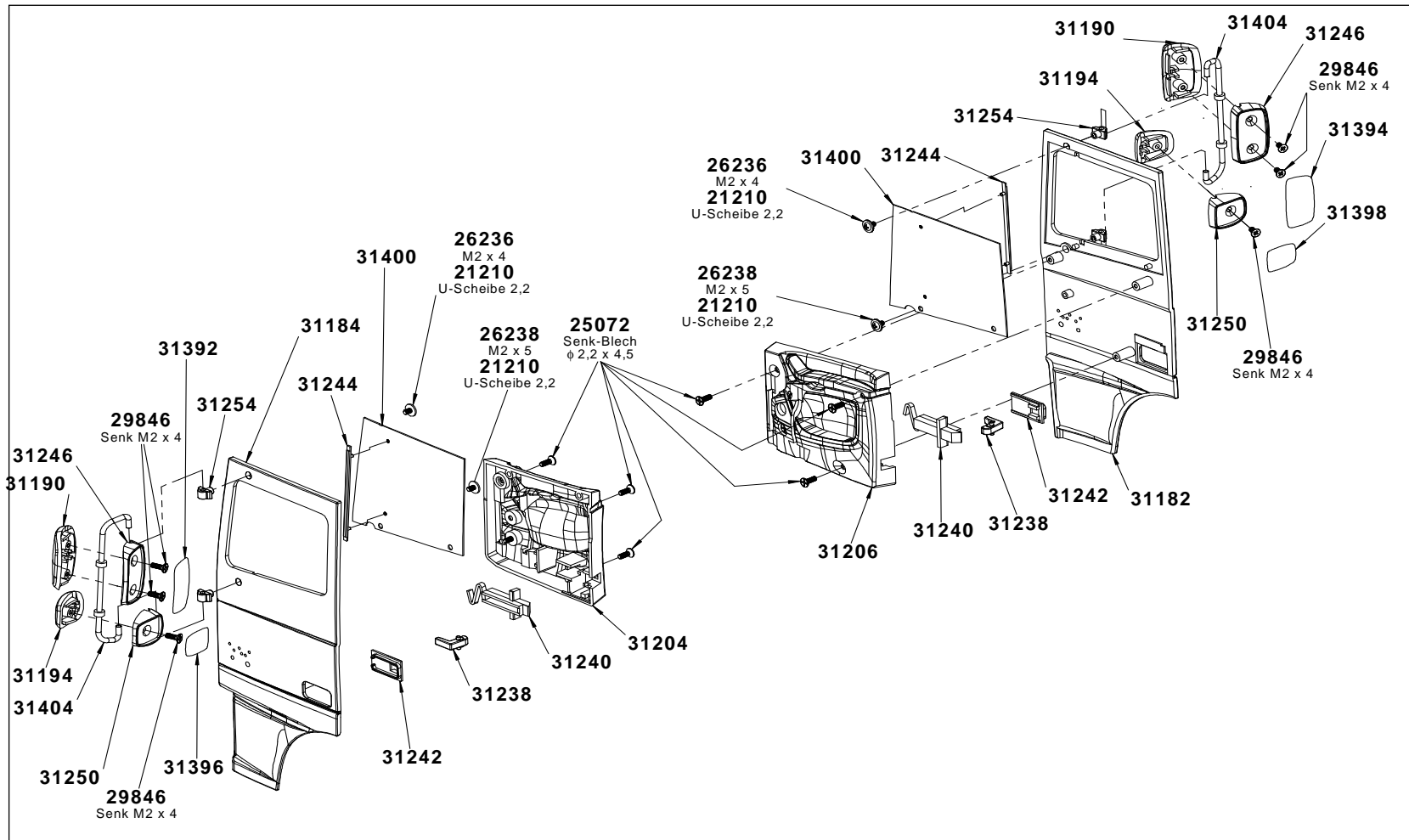
DAF DRIVER'S CAB Completion of assembly groups

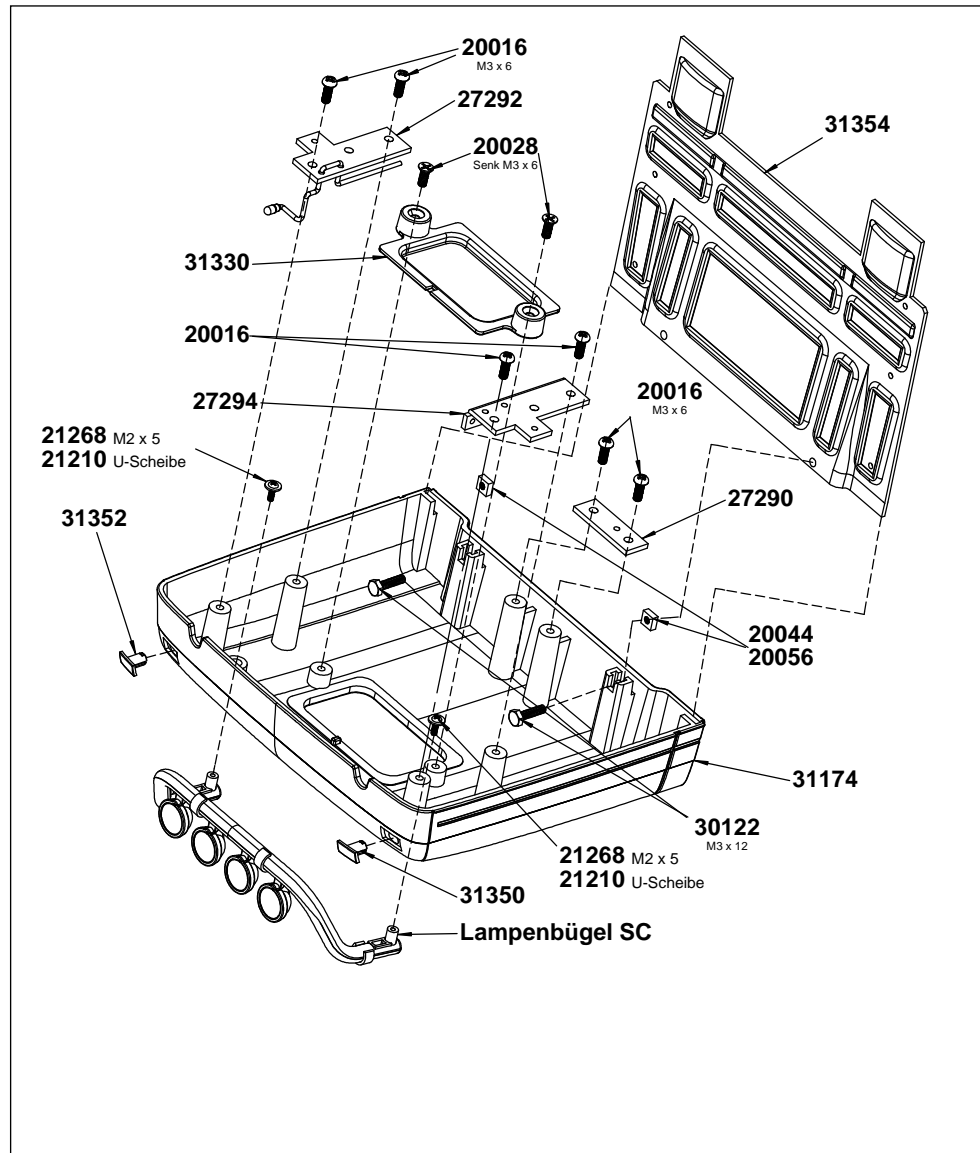
Assembly Step 3.1

Qty.	No.	Assembly part
2	21208	Nut M 2
2	25224	Countersunk screw M 2 x 5
14	25980	Pin for door hinge Ø 1 x 36mm
1	30322	Inside door panel left
2	27052	Door hinge 1
4	27054	Door hinge 2
4	27056	Door hinge 3
2	27058	Door hinge 4
4	27060	Support 1 door hinge
2	27064	Support 2 door hinge

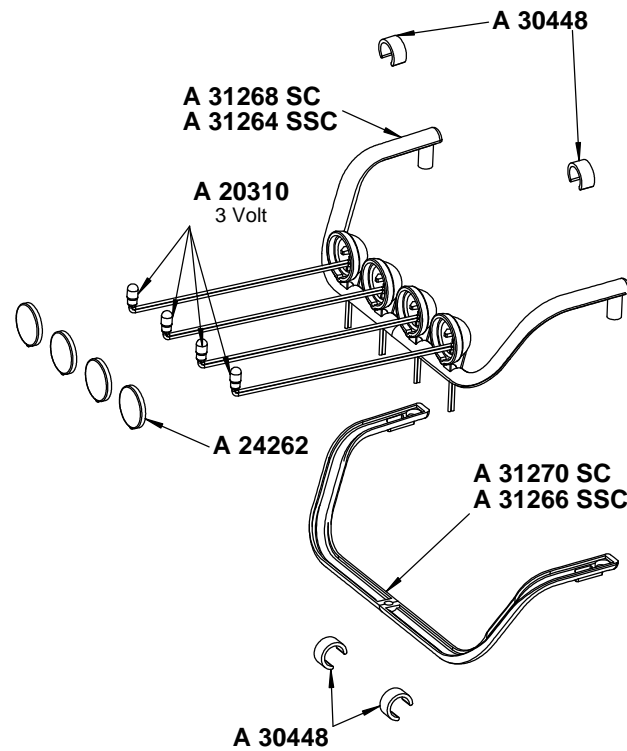
Assembly step 3.2

Qty.	No	Assembly part
8	21210	Washer φ 2,2
6	25072	Countersunk head tapping screw Ø 2,2 x 4,5
2	26236	Raised cheese head screw M 2 x 4
4	26238	Raised cheese head screw M 2 x 5
8	29846	Countersunk screw M2 x 4
1	31182	Door right
1	31184	Door left
2	31190	Mirror frame rear top
2	31194	Mirror frame rear below
1	31204	Door panel left
1	31206	Door panel right
2	31238	Door handle
2	31240	Door lock
2	31242	Recessed grid
2	31244	Mirror ledge
2	31246	Mirror frame
2	31250	Mirror frame below
4	31254	Seat mirror frame
1	31392	Mirror foil left
1	31394	Mirror foil right
1	31396	Mirror foil left below
1	31398	Mirror foil right below
1	31400	Door window
1	31402	Door window
2	31404	Mirror support





Accessories: Roof frame with lamp
SSC - Nr.: 864; SC - Nr.: 863



4 Assembly the roof section SC

4.1 Mounting roof, locking device and rear panel (III 4.1+4.3)

The roof SC 31174 is attached only slightly to the rear panel top 31354 of the driver's cab and can easily be detached again. The roof is bolted with two door locks which reach behind the specially meant for sheet metals, attached at the side parts.

Put a nut 20040 M3 on the door handle 20084 and tighten it. Then push the door lock 20086 and a square nut 20044 over and fix it. Both, door handle and door lock, must be attached and aligned in the same direction. If necessary, hold the door lock with pliers while tightening the counter nut. Then fix another nut 20040 M3. Put on a spring washer 20056 and a washer 20046 and push the handle through the prepared hole in the left locking sheet metal for the roof 27292. Put a washer 20046 Ø 3,2 from the backside and fix all with two nuts 20040 M3 (or with a stop nut). Mount the door handle in the same way to the right locking sheet for the roof 27294.

Each one threaded bolt 27412 and one raised cheese head screw 26238 M2 x 5 are mounted to both locking sheets for roof. Mount a threaded bolt 27412 in the same way to the guide sheet for roof 27290. Now the guide sheet for roof 27290 is fixed under the roof 31172 SSC or 31174 SC with two raised cheese head screws 20016 M3 x 6.

The right 27294 and the left 27292 locking sheet for roof are both fixed under the roof by means of raised cheese head screws 20016 M3 x 6.

In order to attach the rear panel top 31354 slide one each square nut 20044 with spring washer 20056 into the slots in the fastening bolts under the roof. Then put the rear panel into the guide groove and jam it by tightening the hex head screw 30122 M3 x 12.

Fit in the roof window 31330 into the corresponding opening of the different roofs with 2 raised cheese head screws M3 x 6 20016..

Both roof corner lamps 31350 and 31352 are stuck into the roof.

Advice: The remaining holes in the rear panel top 31354 (ill. 4a) are destined for attaching the roof spoilers and side spoiler, which can be ordered as accessories (see below).

Roof spoiler and side spoiler for SC Order No.: 840 – 841 – 842 – 843

Roof spoiler and side spoiler for SSC Order No.: 852 – 853 – 854 – 855

4.2 Assembly of roof lamp (III. 4.2)

Insert each 4 bulbs 20310 3 volt into the upper part of the roof frame 31264 SSC resp. 31268 SC. The lower parts of the roof frame 31266 SSC and 31270 SC are put together with each 4 c look rings 30448. The lamp lenses 24262 are pressed into the lamp holders. Pay attention in case the lenses will be stuck! They might become opaque if a glue for plastics is used. The roof frame top with light casing is fixed to the roof with each one raised cheese head screw 21268 M2 x 5 and one washer 21210 Ø 2,2.

→ **When mounting the roof frame top with light casing, Art.-No. 863 SC resp. 864 SSC** you can put the ends of the bulb cables through the prepared holes in both locking sheets for the roof. At the right locking sheet for the roof use 2 screws 26238 and 2 nuts 21208 to fix the 7-pole terminal strip 27386.

4.3 Assembly of an electric system, Art.-No. 796 (III. 44)

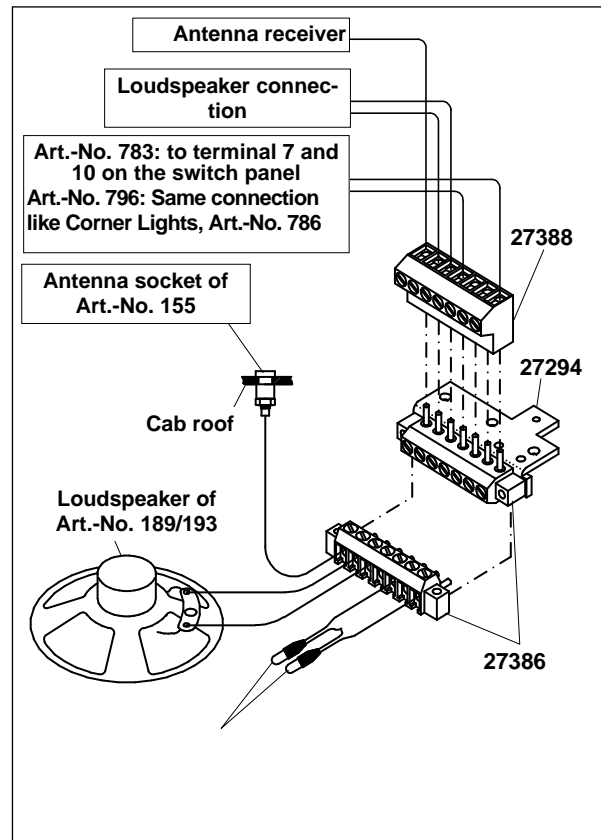
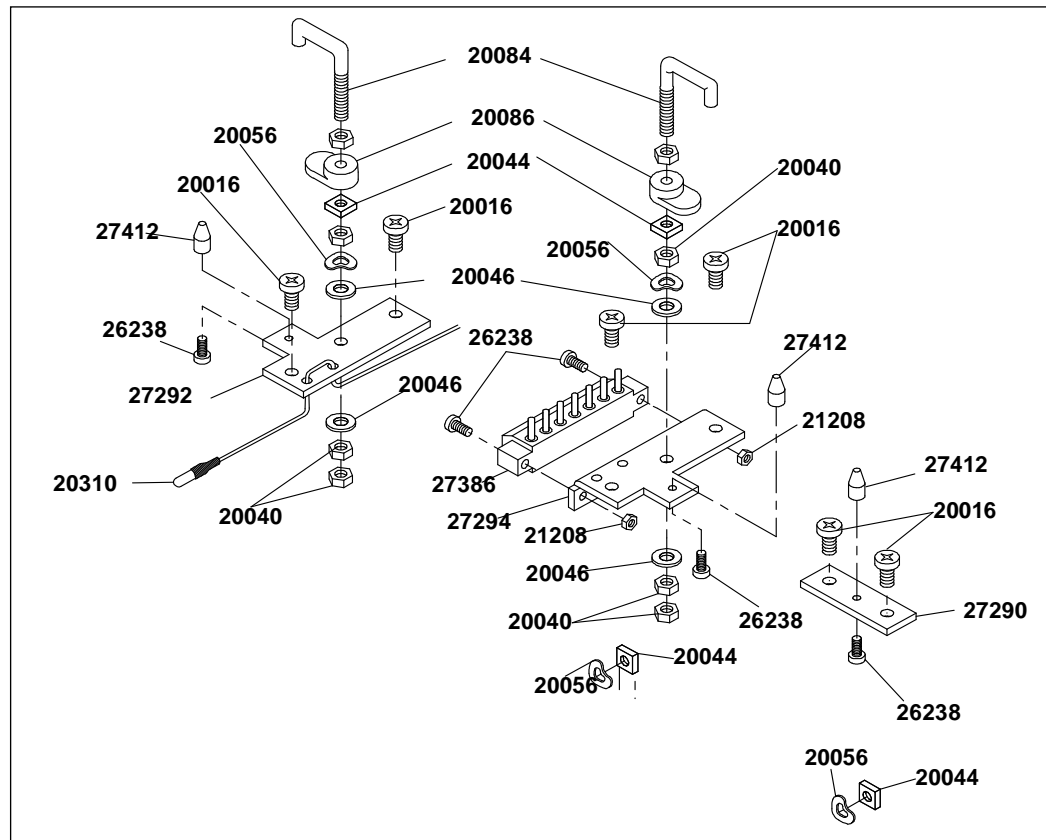
When you take off the roof you can detach the cable connection at the pin and socket connector. Use in this case the screw terminal strip with 7-pol. pin 27386 and the 7-pol. socket screw terminal strip 27388. The additional spotlights are switched in a row and connected directly with the 12 v supply.

The free terminal sockets can be used for the connection of other lamps.

The wire for the antenna is soldered to the antenna socket. The illustration on the right side shows the different possible connections. The screw terminal strip 27386 is shown twice to make it clear from each side of view.

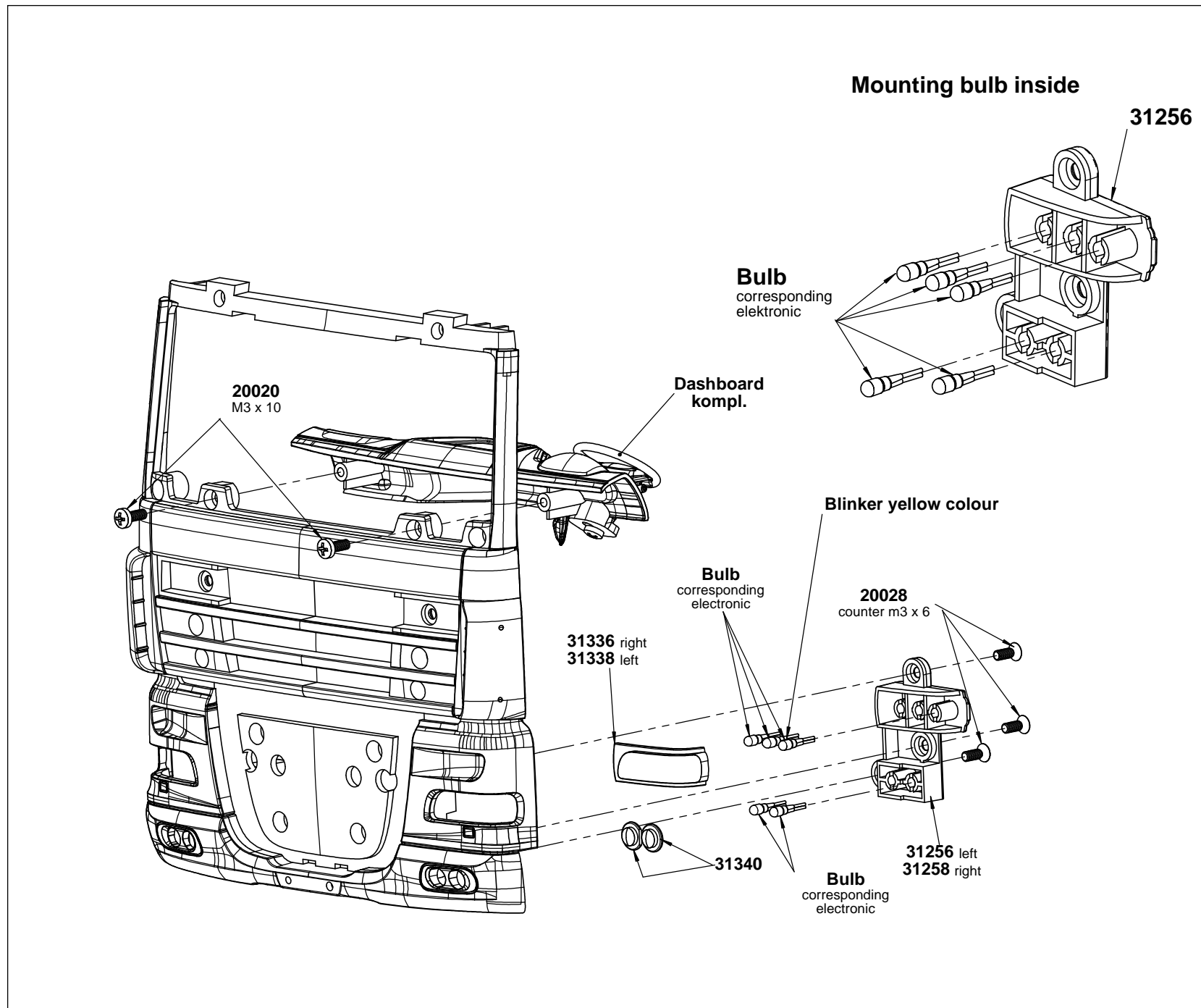
DAF DRIVER'S CAB
Completion of assembly groups

Assembly step 4.1 Roof		
Qty.	No.	Assembly part
6	20016	Raised cheese head screw M3 x 6
2	20018	Raised cheese head screw M3 x 8
8	20040	Nut M3
4	20044	Square nut M3
4	20046	Washer Ø 3,2
4	20056	Spring washer A 3,2
2	20084	Door handle
2	20086	Door lock
2	21208	Nut M2
5	26238	Raised cheese head screw M2 x 5
1	27290	Guide sheet for roof
1	27292	Locking sheet for roof left
1	27294	Locking sheet for roof right
1	27386	Screw terminal strip 7-pol
3	27412	Bolt with thread, brass
2	30122	Hex head screw M 3 x 12
1	31172	Roof SSC
	31174	Roof SC
1	31330	Roof window
1	31350	Roof corner lamp lens right
1	31352	Roof corner lamp lens left
1	31354	Rear panel top



Assembly step 4.2 Roof lamp		
Qty.	No.	Assembly part
4	A 20310	Bulb 3 Volt
4	A 24262	Lamp lens Volvo
4	A 30448	C look
	A 31264	Roof frame upper part SSC top
	A 31266	Roof frame lower part SSC top
1	A 31268	Roof frame top with light casing
1	A 31270	Roof frame below SC top

Assembly step 4.3 parts of roof		
Qty.	No.	Assembly part
2	20016	Raised cheese head screw M3 x 6
1	27386	Screw terminal strip 7-pol. pin
1	27388	Screw terminal strip 7-pol. socket
1	30382	Roof window



5. Subassembly front

Mounting Reflector and Blinker

First fit the left reflector lens **33336** and the two fog lamp lenses **31340** from inside flush to the left into the prepared opening in front **31176**. Keep care that the lens is inserted its bulge to the front. Put the bulbs into the left lamp holder **31256**, as per their use: in a row driving light – low beam and blinker. Take a waterproof felt-tip pen and colour the bulbs of the blinker correspondingly in yellow or orange. Fix the lamp holder with 3 countersunk screws **20028** M3 x 6.

The assembly of the right lamp holder **30344** is to be done in the same way.

Assembly step 5 subassembly Front

Qty.	No.	Assembly part
6	20028	Countersunk screw M3 x 6
2	20020	Raised cheese head screw M3 x 10
1	31336	Reflector lens left
1	31338	Reflector lens right
4	31340	Fog lamp lens
1	31256	Lamp holder left
1	31258	Lamp holder right
1		Dashboard comp.
10		Bulb corresponding electronic

Accessories: front lamp with 4 lamps Order Nr. 885

5.1 Subassembly front frame 4 lamps

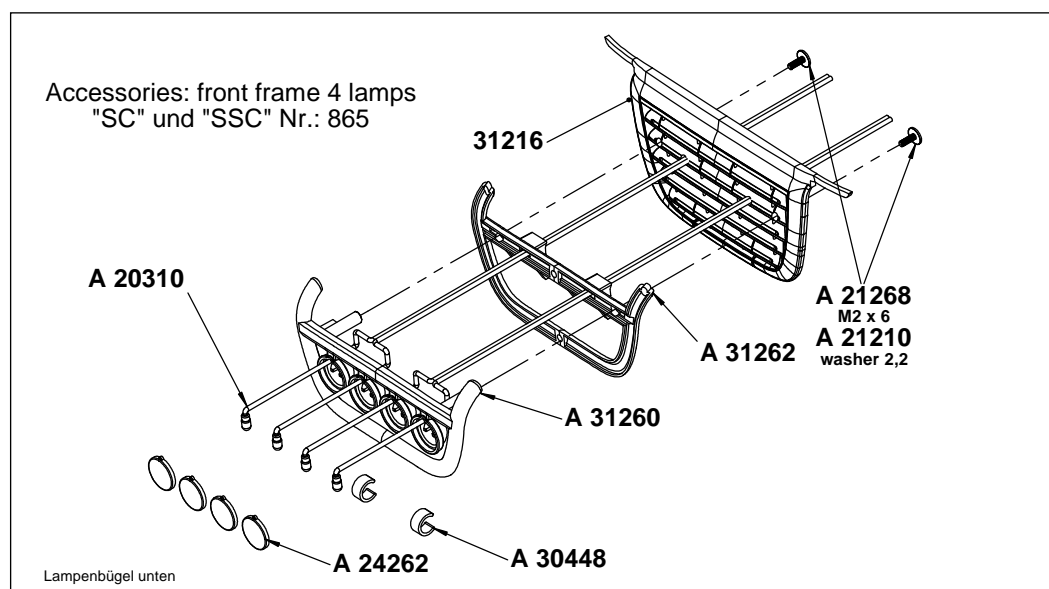
If you want to mount additionally the front lamp frame no. **865** you must first make a bore hole into the radiator grill **31216**. For this purpose the 4 bore holes side by side at the back side are enlarged with a \varnothing 4 mm bore. Take care of an exact vertical position of the bore holes. Put 4 bulbs **20310** through the lamps in the front lamp frame **31260**, through the front lamp frame below **31262** and through the radiator grill **31216**.

Tear each 2 pairs of lead-in-wires to the left and to the right and then through the rectangular holes in the lower part of the front lamp frame below. and attach the same with 2 raised cheese head screws **21268** M2 x 6 and 2 washers **21210** \varnothing 2,2 to the radiator grill. Now press 4 roof lamp's lenses **24262** into the lamp holders. Fix them eventually with a tiny drop of glue, but attention: the glue makes the glasses become opaque.

Assembly 5.1 front frame with 4 lamps

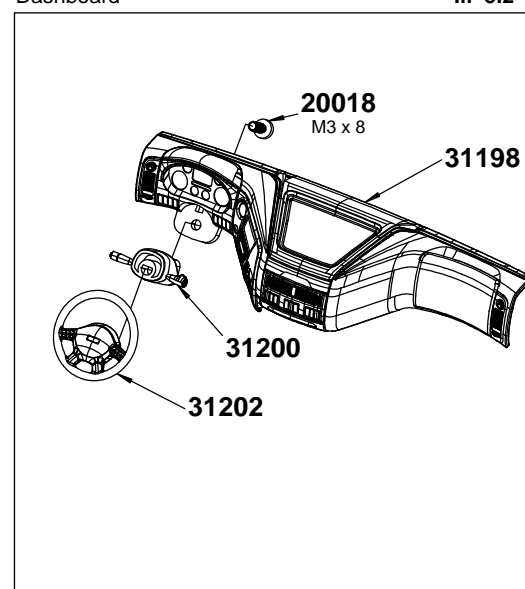
Qty.	No.	Assembly part
4	A 20310	Bulb 3V
2	A 21210	Washer \varnothing 2, 2
2	A 21268	Raised cheese head screw M 2 x 6
4	A 24262	Roof lamp's lens
2	A 30448	Retaining ring
1	31216	Radiator grill
1	A 31260	Front frame
1	A 31262	Front frame below

Front frame with 4 lamps



III 5.1

Dashboard



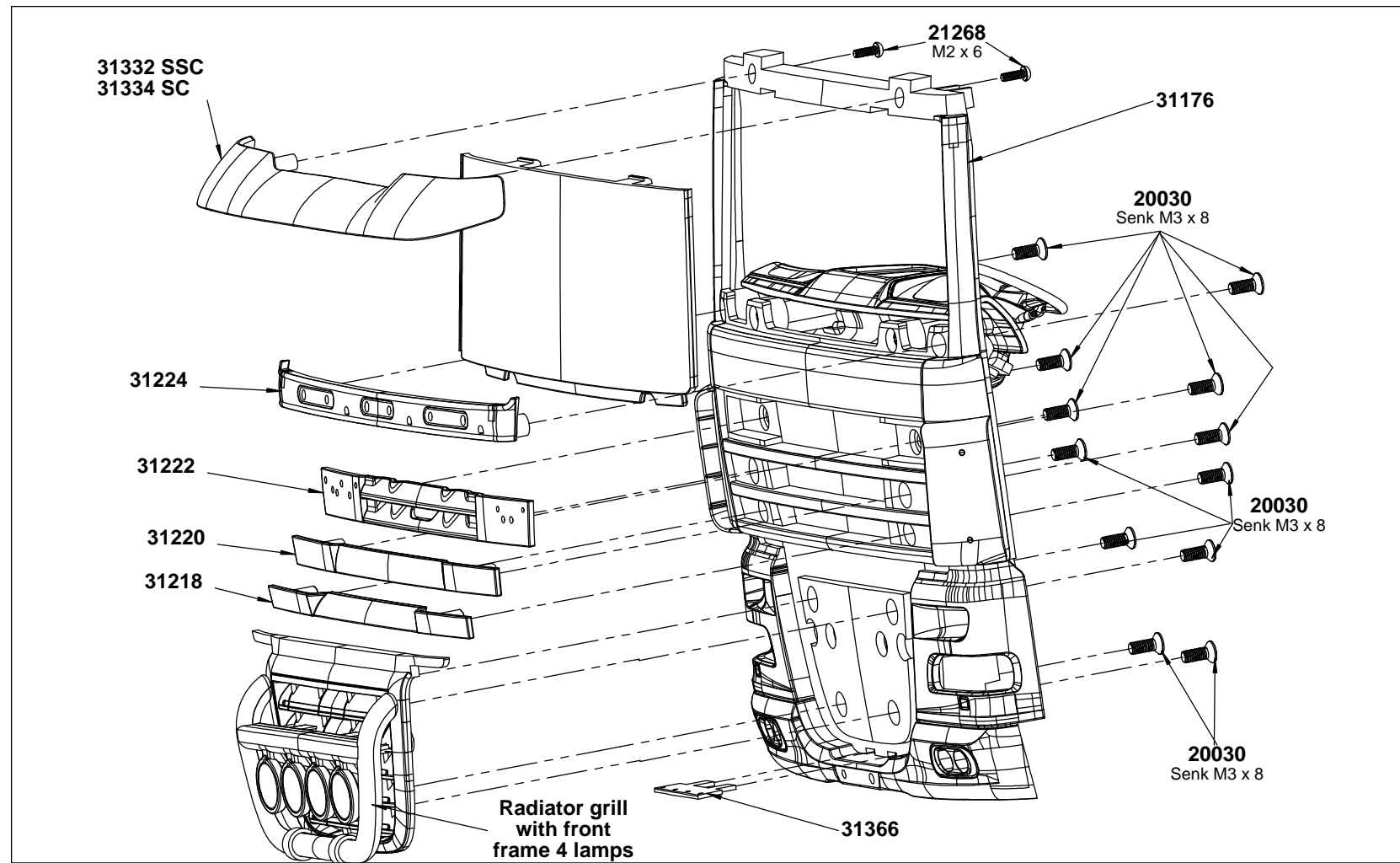
III 5.2

5.2 Subassembly dashboard

The switch dash board **31200** is fixed to the dash board **31198** with 1 raised cheese head screw **20018** M 3 x 8. Now place the steering wheel **31202** on the dash board and fix it – if necessary – with a drop of glue.

Assembly step 5.2 Pre-mounting dash board

Qty.	No.	Assembly part
1	20018	Raised cheese head screw M 3 x 8
1	31198	Dashboard
1	31200	Switch dash board
1	31202	Steering wheel



6 Subassembly Front

6.1 Mounting Front (III 6.1)

Mount the lamp holder at the front by using 2 countersunk screws **20030** M3 x 8. Then clip the Windscreen **31328** into the front **31176**.

The air admission **31218** small; **31220** big and on top **31222** and the windscreen ledge **31224** are fixed each with 2 countersunk screws **20030** M3 x 8.

Accessories

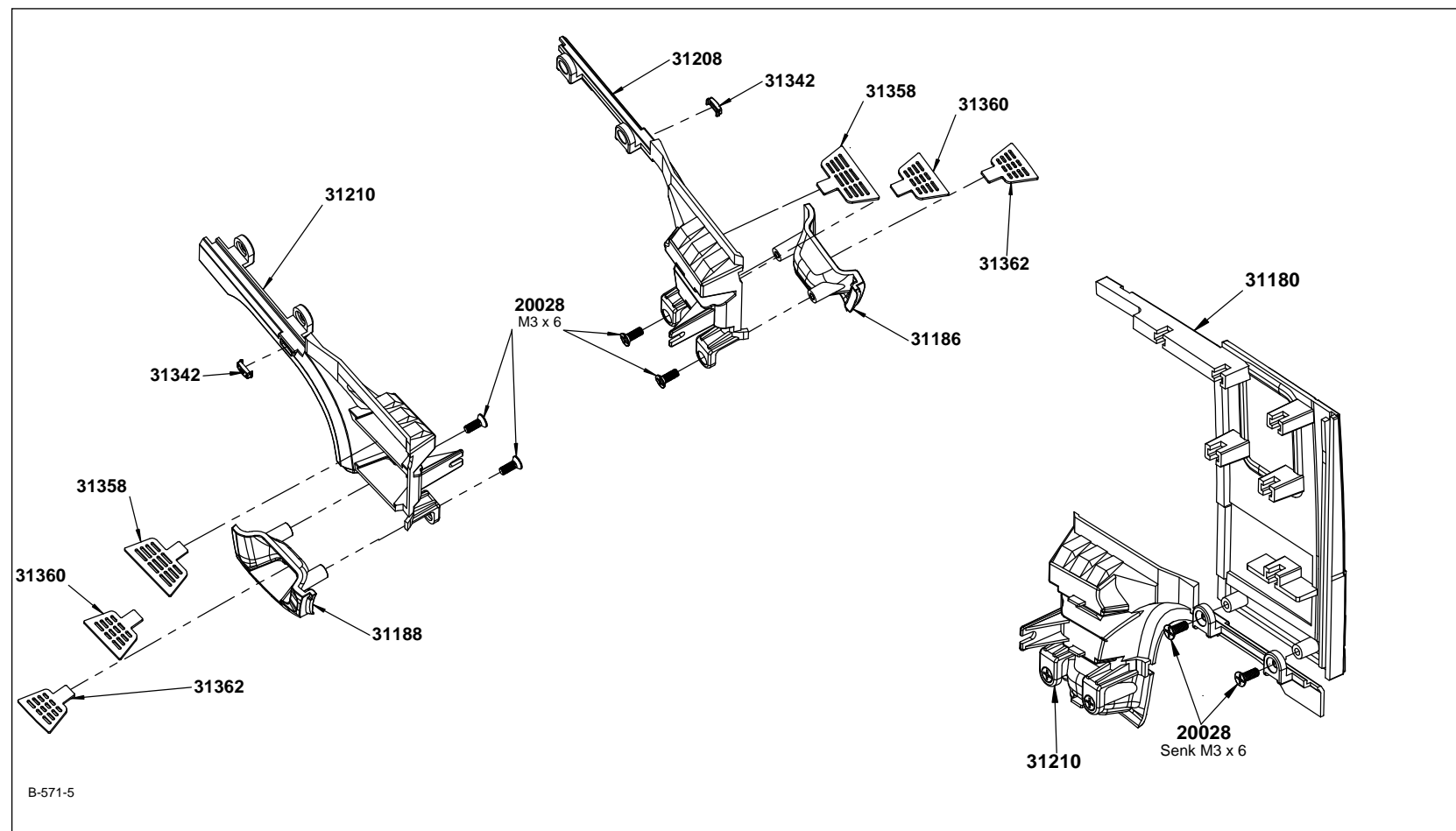
Sun visor no 860

The sun visor SC **31334** is fixed with 2 raised cheese head screws **21268** M2 x 6. At the model SSC mount the appropriate sun visor **31332**.

DAF DRIVER'S CAB Completion of assembly groups

Assembly step 6.1 mounting front

Qty.	No	Assembly part
12	20030	Countersunk screw M3 x 8
2	A 21268	Raised cheese head screw M2 x 6
1	31176	Front
1	31218	Air admission, small
1	31220	Air admission, big
1	31222	Air admission, top
1	31224	Windscreen ledge
1	31328	Windscreen
	A 31332	Sun visor SSC
1	A 31334	Sun visor SC
1	31366	Grill lower plate



6.2 Mounting fender (III 6.2)

The step board plates, **31358** top and **31360** middle are inserted into the fender at the left side **31208**. The step board plate below **31362** is inserted into the fender at the right side **31210**. Slightly wrench the tongues of the step boards from inside by using a flat plier.

Assembly step 6.2 mounting fender

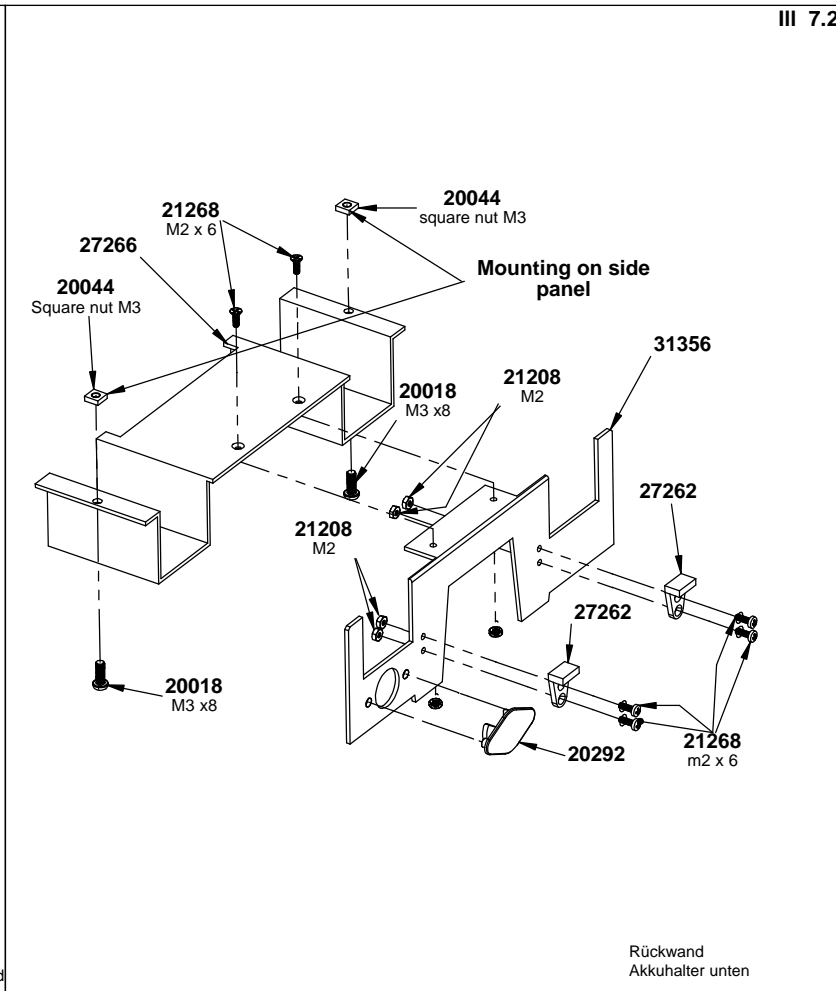
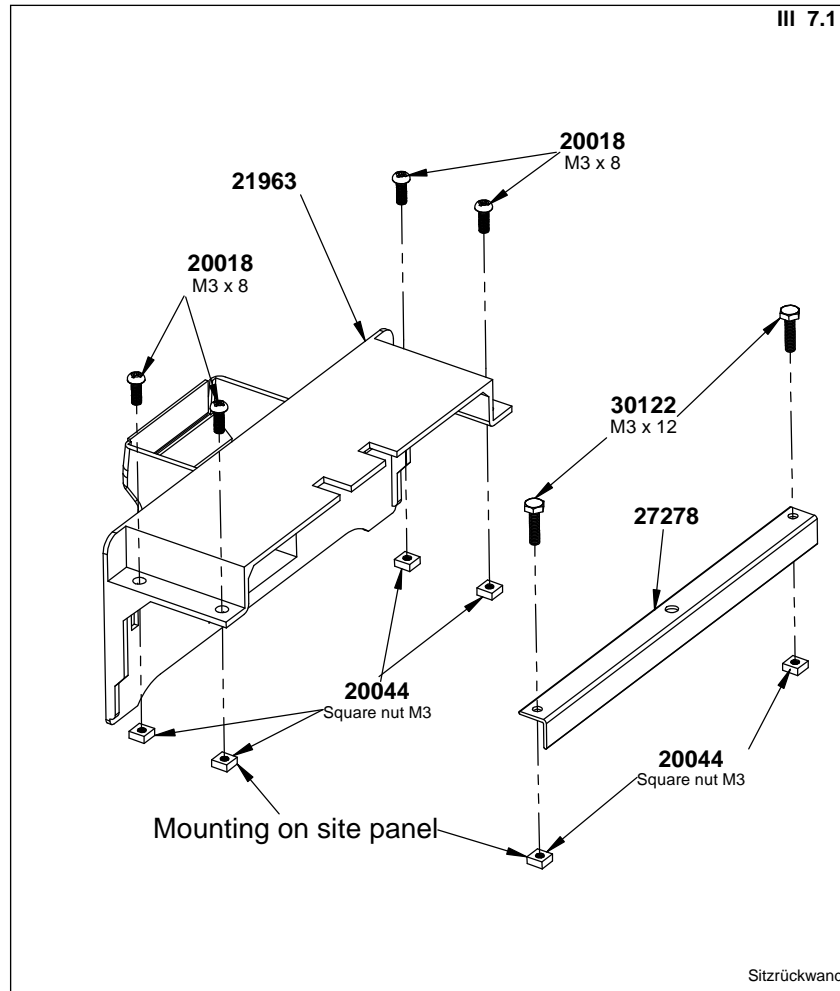
Qty.	No	Assembly part
4	20028	Countersunk screw M3 x 6
1	31178	Side panel left
1	31180	Side panel right
1	31208	Fender left
1	31210	Fender right
2	31358	Step board plate top
2	31360	Step board plate middle
2	31362	Step board plate below

6.3 Mounting fender to side panel (III 6.3)

The side part **31180** and the fender **31208** at the right are screwed together with 2 countersunk screws **20028** M 3 x 6. Mount the left side correspondingly.

Assembly step 6.3 mounting fender

Qty.	No	Assembly part
4	20028	Countersunk screw M3 x 6
1	30178	Side panel left
1	30180	Side panel right



7.1 Pre assembly Seat rear panel (ill. 7.1)

In order to simplify the final assembly the square nuts **20044** and the raised cheese head screws **20018** M 3 x 8 can in advance be fixed in the seat rear panel **21963**. Thereby keep care of the assembly position of the screws. If there is no possibility to mount the seat rear panel respectively the battery plate, first of all put the square nuts into their slots. The screws must very carefully be screwed into the nuts with a long screw driver.

The fixed angle for the side panels **27278** is pre-mounted with each 1 hex head screw **30122** M3 x 12 and 1 square nut **20044** M3.

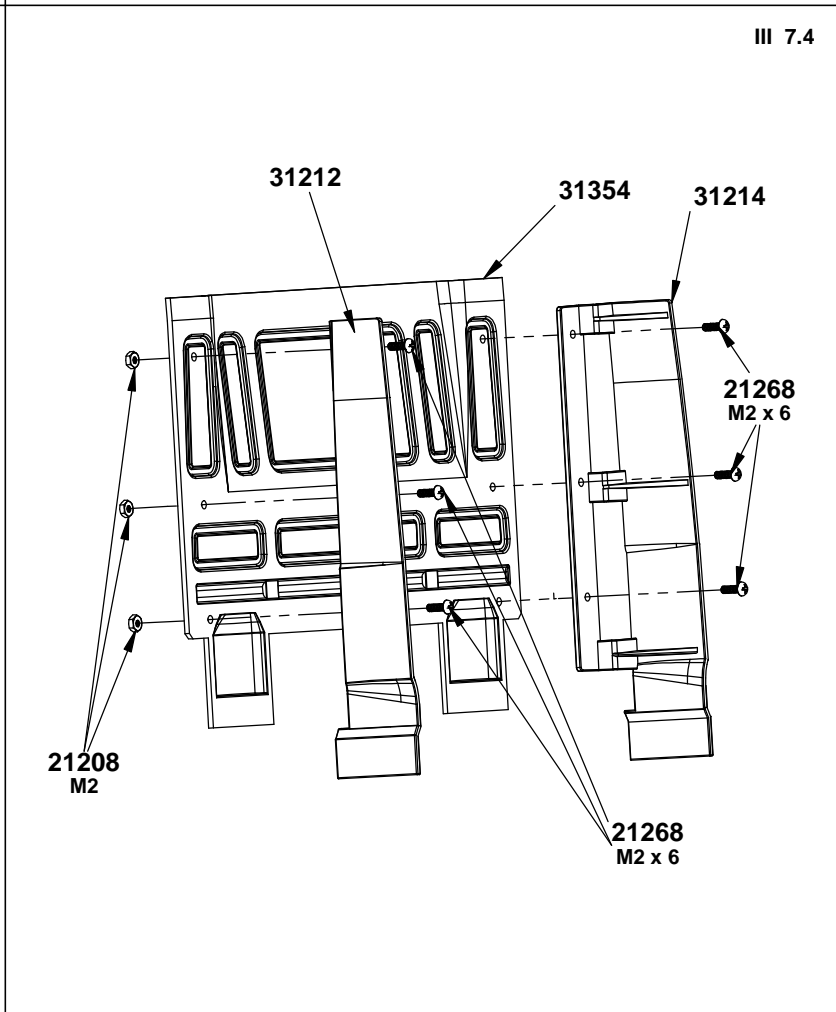
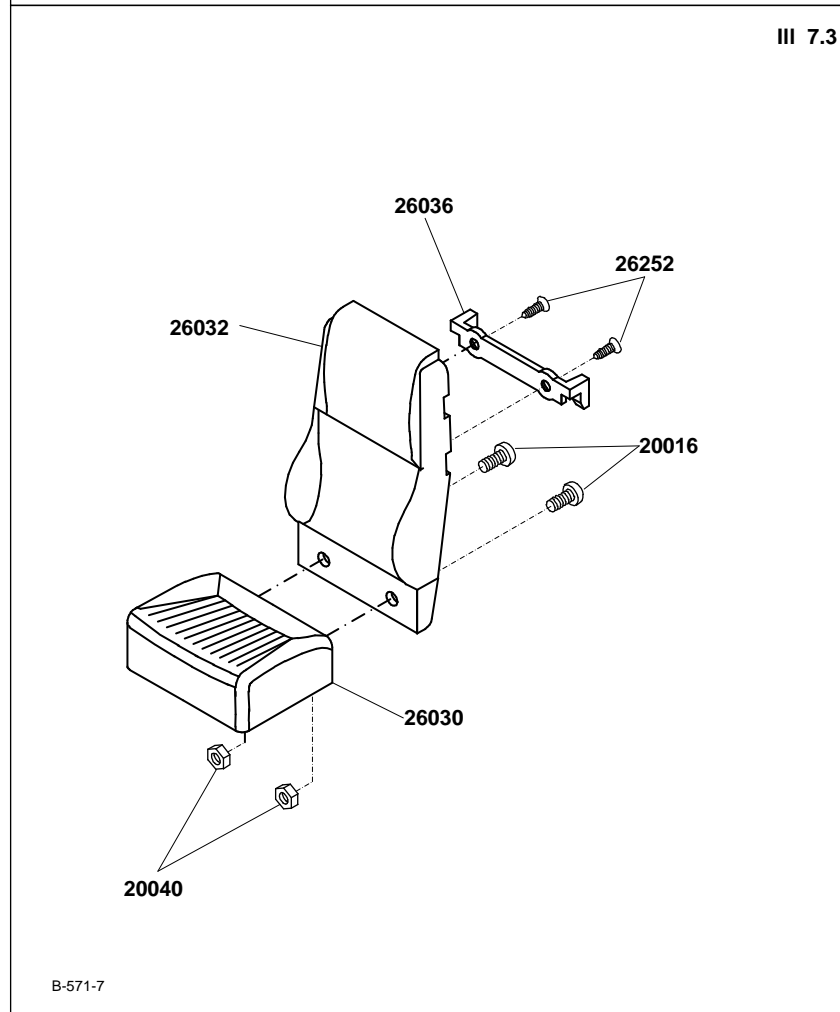
7.2 Pre assembly battery plate (ill. 7.2)

First the below rear panel **31356** is mounted with the two stop devices **27262** for the lock of the drivers' cab. Use each 2 countersunk screws **26248** M 2 x 6 and 2 nuts **21208** M2. Now the rear panel below is screwed on the battery plate **27262** with each 2 raised cheese head screws **21268** M 2 x 6 and 2 nuts **21208** M2.

In order to simplify the assembly of the battery plate put from below 1 raised cheese head screw **20018** M3 x 8 and from above 1 square nut into the bore hole in the middle.

Assembly step 7.1 Seat rear panel		
Qty.	No.	Assembly part
4	20018	Raised cheese head screw M 3 x 8
6	20044	Square nut M 3
1	21963	Seat rear panel
1	27278	Fixing angle for the side panels
2	30122	Hex head screw M3 x 12

Assembly step 7.2 battery plate		
Qty.	No.	Assembly part
1	20292	Wels plug oval
6	21208	Nut M 2
6	21268	Raised cheese head screw M 2 x 8
2	27262	Stop device – cab lock
1	27266	Battery plate
1	31356	Rear panel below



7.3 Pre assembly seat (ill.7.3)

Seat back **26032** and seat under part **26030** are screwed with 2 raised cheese head screws **20016** M 3 x 6 and 2 nuts **20040** M3. Screw the u-bow for seat with 2 countersunk panel screws **26252** Ø 2,2 x 6,5 to the seat back.

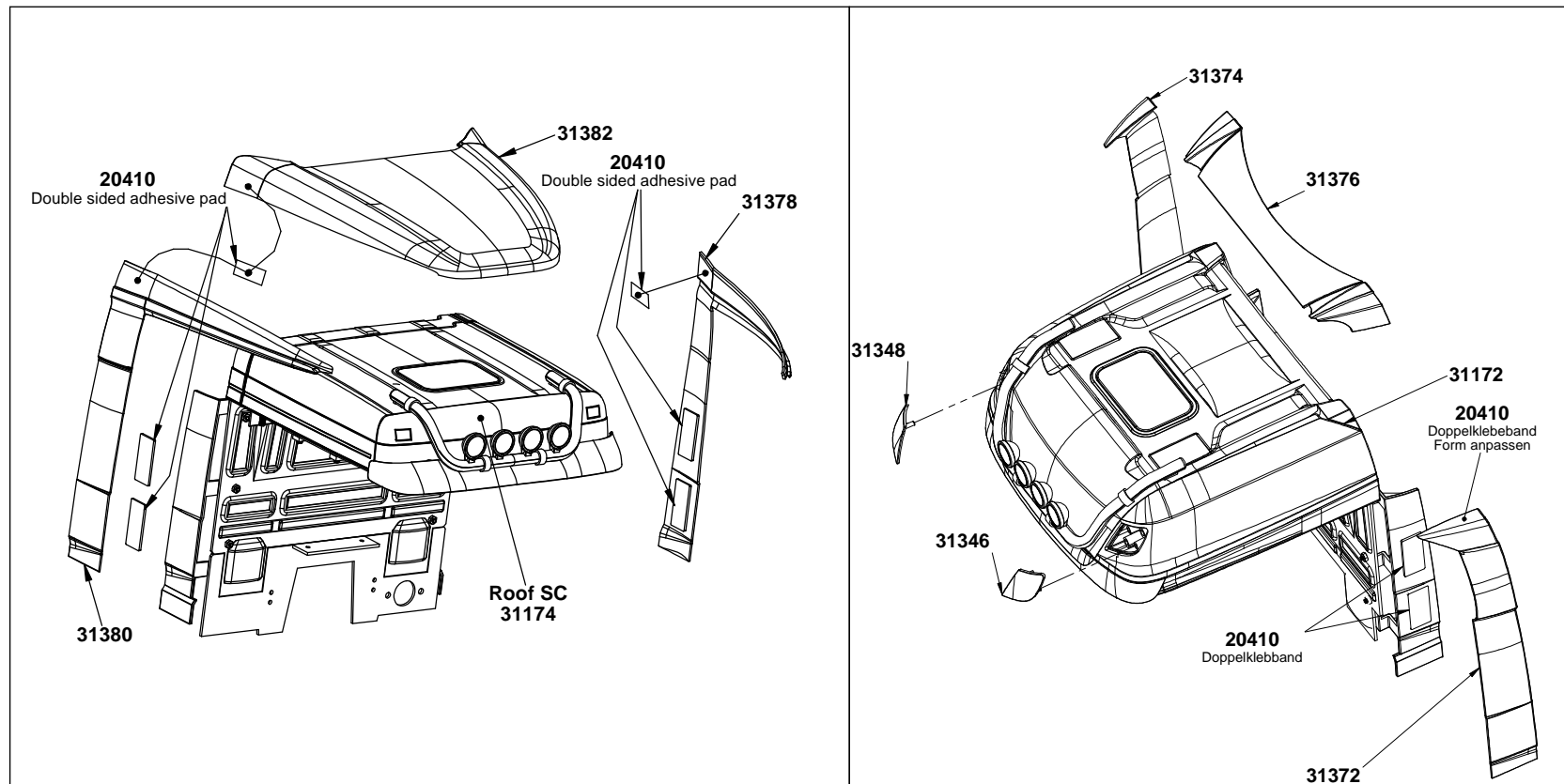
Assembly step 7.3 mounting seat		
Qty.	No.	Assembly part
4	20016	Raised cheese head screw M3 x 6
4	20040	Nut M 3
2	26030	Seat under part
2	26032	Seat back
2	26036	U-bow for seat
4	26252	Countersunk panel screw 2,2 x 6,5

Accessories No.: 848 - 851

7.4 Mounting holder side guard (ill. 7.4)

The two holders for side guard, left **31212** and right **31214** are screwed with each 3 raised cheese heard screws **21268** M2 x 6 and 3 nuts **21208** M2.

Assembly step 7.4 mounting holder side guard		
Qty.	No.	Assembly part
6	21268	Raised cheese head screw M2 x 6
6	21208	Nut M 2
1	31354	Rear panel
1	31312	Holder side guard left
1	31214	Holder side guard right



Accessories

9 Mounting Parts

9.1 Roof SC Spoiler (III. 9.1)

The side guards left **31378** and right **31380** must be aligned to the outlines of the holders at the rear panel. For this bend the parts so that their surfaces are parallel to each other. A distance of 1,5 mm for the double-sided adhesive pad should be taken into account. The roof spoiler **31282** is fit in the same way.

The double sided adhesive pad is used only once.

9.2 Roof SSC Spoiler (III 9.2)

The side guard left **31372** and right **31374** must be aligned to the outlines of the holders at the rear panel. For this bend the parts so that their surfaces are parallel to each other.

A distance of 1,5 mm for the double-sided adhesive pad **20410** should be taken into account. The roof spoiler **31376** is fit in the same way.

The two roof lamp lenses, left **31346** and right **31348** can carefully be stuck from the front. **Attention:** use the glue very carefully, as a tiny drop only will make the lenses become opaque.

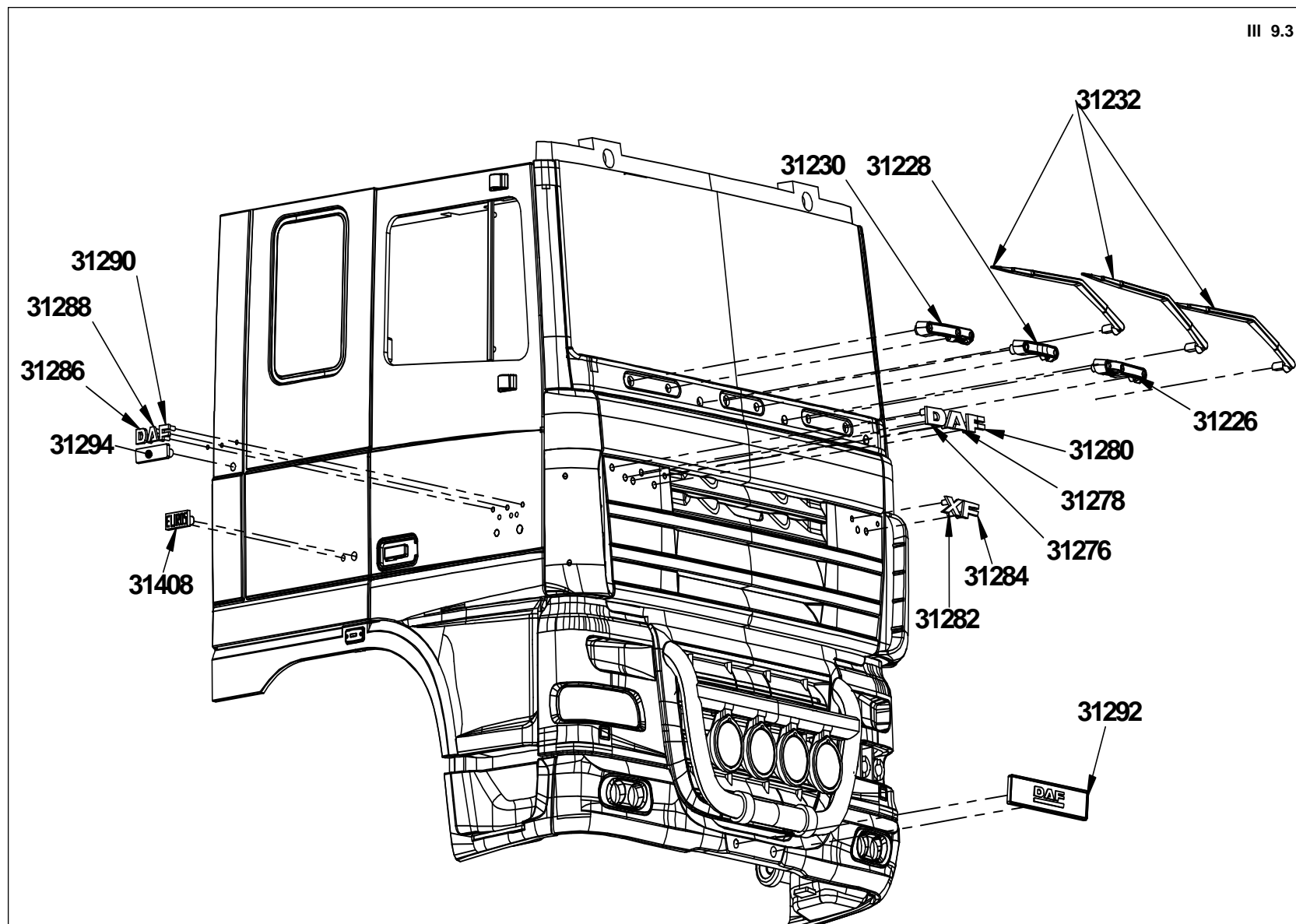
For the assembly of the roof lamp holder make 4 bore holes of $\varnothing 4,1\text{mm}$ into the roof. The two bore holes in the middle are destined to fix the lamp holder. The other bore holes serve to lead in the wires of the bulbs.

DAF XF 105 Drivers CAB Completion of assembly groups

Assembly step 9.1 Roof SC spoiler		
Qty.	No	Assembly part
1	A 31378	Side guard left SC
1	A 31380	Side guard right SC
1	A 31382	Spoiler SC
6	A 20410	Double-sided adhesive pad

Assembly step 9.2 Roof SSC spoiler		
Qty.	No	Assembly part
1	A 31374	Side guard left SC
1	A 31372	Side guard right SC
1	A 31376	Spoiler SC
6	A 20410	Double-sided adhesive pad
1	A 31346	Roof lamp lens left
1	A 31348	Roof lamp lens right

Assembly step 9.3 Fender		
Qty.	No	Assembly part
1	31226	Front handle left
1	31228	Front handle middle
1	31230	Front handle right
3	31232	Windscreen wiper
1	31276	LOGO „D“ big
1	31278	LOGO „A“ big
1	31280	LOGO „F“ big
1	31282	LOGO „X“ middle
1	31284	LOGO „F“ middle
2	31286	LOGO „D“ small
2	31288	LOGO „A“ small
2	31290	LOGO „F“ small
1	31292	Number plate
2	31294	LOGO door
2	31408	LOGO EURO 5



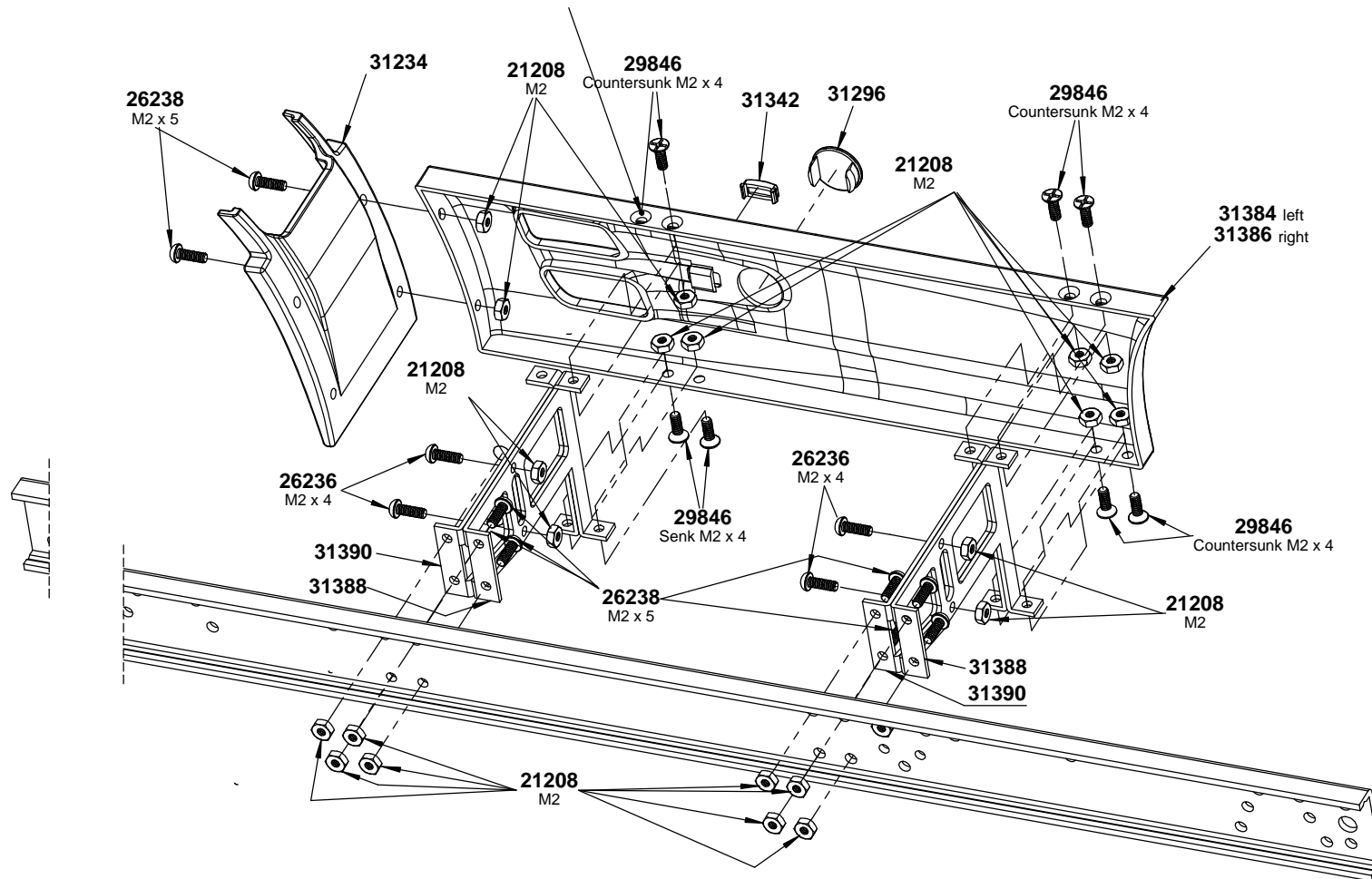
9.3 Drivers' cab, single parts (III 9.3)

The single parts windscreen wiper, LOGO's and number plate are stuck.

Take care that no glue will drop on the windscreen nor on other outside plastic faces. All parts will become dull and opaque. !

Only on the right side
M2 x 10 stepboard right

III 10.1



Seitenverkleidung - einzeln

Accessories:

Side guard No. 856-857-858-859-635

10 Mounting Side guard

10.1 Side guard (III 10.1)

Start with the holders right **31388** and **31390** left for fixing the side guards **31384** and **31386**. Screw the holders with each 2 raised cheese head screws **26236** M2 x 4 and each 2 nuts **21208** M2. Now fasten the premounted holders to the side guards each with 4 countersunk screws **29846** M2 x 4 and 4 nuts **21208** M2. Pay attention that the front screw at the right side is not fixed. Both front fenders **31234** and **31236** are attached to the front part of the side guards with each 2 raised cheese head screws **26238** M2 x 5 and each 2 nuts **21208** M2. Now you can attach the premounted side guards at the chassis. For this purpose take 4 raised cheese head screws **26236** M2 x 4 and 4 nuts **21208** M2 and fasten the left side guard. The right side guard is fixed with 2 raised cheese head screws **26236** M2 x 4 and 2 nuts **21208** M2 at the frame (screws inside, between the folders). The pilot lamp **31342** and the hole cover **31296** are pressed into the right side guard (use eventually a tiny drop of glue – but attention: the plastic becomes dull).

Assembly step 10.1 Side guard

Qty.	No	Assembly part
44	A 21208	Nut M2
8	A 26236	Raised cheese head screw M2 x 4
20	A 26238	Raised cheese head screw M2 x 5
16	A 29846	Countersunk screw M2 x 4
1	A 31234	Mud guard front rear right
1	A 31236	Mud guard front rear left
1	A 31296	Hole cover
1	A 31342	pilot lamp lens
1	A 31384	Side guard left
1	A 31386	Side guard right
4	A 31388	Holder side guard left
4	A 31390	Holder side guard right

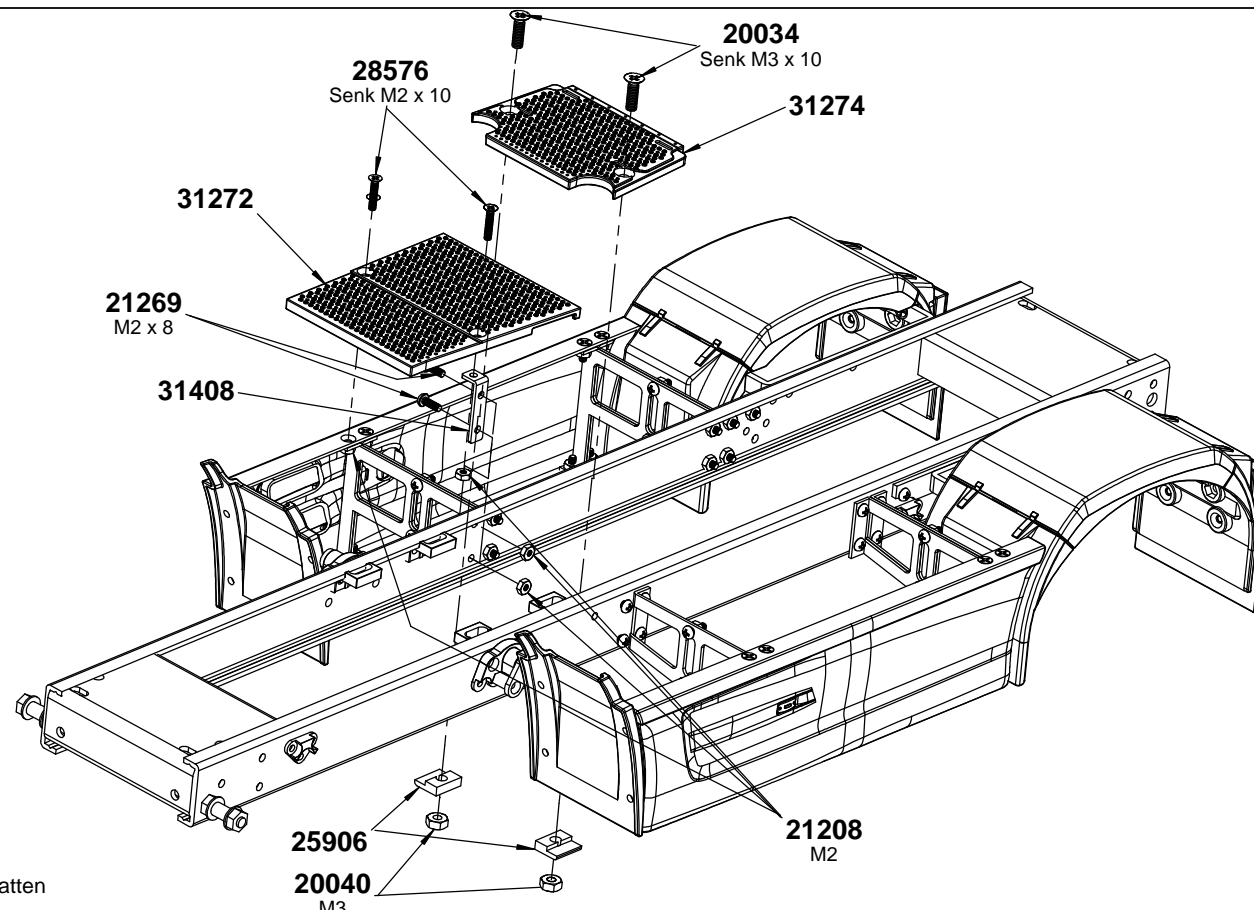
10.2 Step board (III 10.2)

Start with the holder of the step boards **31408**. Screw it with 2 raised cheese head screws **21269** M2 x 8 and 2 nuts **21208** M2 at the front holder of the side guard **31388**. The right step board **31272** is fixed at the frame with 2 countersunk screws **28576** M2 x 10 and 2 nuts **21208** M2. The middle step board **31274** is fixed with 2 countersunk screws **20034** M3 x 10, 2 clamping plates **25906** and 2 nuts **20040** M3. Push the step board with its indentations towards the holder of the drivers' cabin.

Assembly step 9.1 Step board right - middle

Qty.	No	Assembly part
2	20034	Countersunk screw M3 x 10
2	20040	Nut M3
5	21208	Nut M2
2	21269	Raised cheese head screw M2 x 8
2	25906	Clamping plate
2	28576	Countersunk screw M2 x 10
1	31272	Step board right
1	31274	Step board middle
1	31408	Holder step board

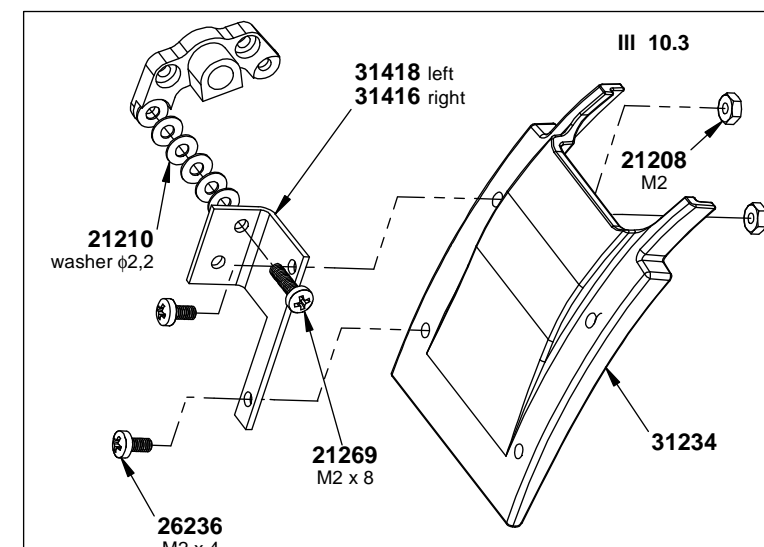
III 10.2



Rahmen - Trittplatten

10.3 Mud guard only (III 10.3)

In case the side guards are not mounted, the front mud guards must each be fixed separately. For this purpose take a holder **31418** left resp. **31416** right and fix it to the big spring holder with 1 raised cheese head screws **21269** M2 x 8. To equalize the height difference put 6 washers **21210** Ø2,2 between. The mud guard **31234** is fixed with 2 raised cheese head screws **26236** M2 x 4 and 2 nuts **21208** M2.



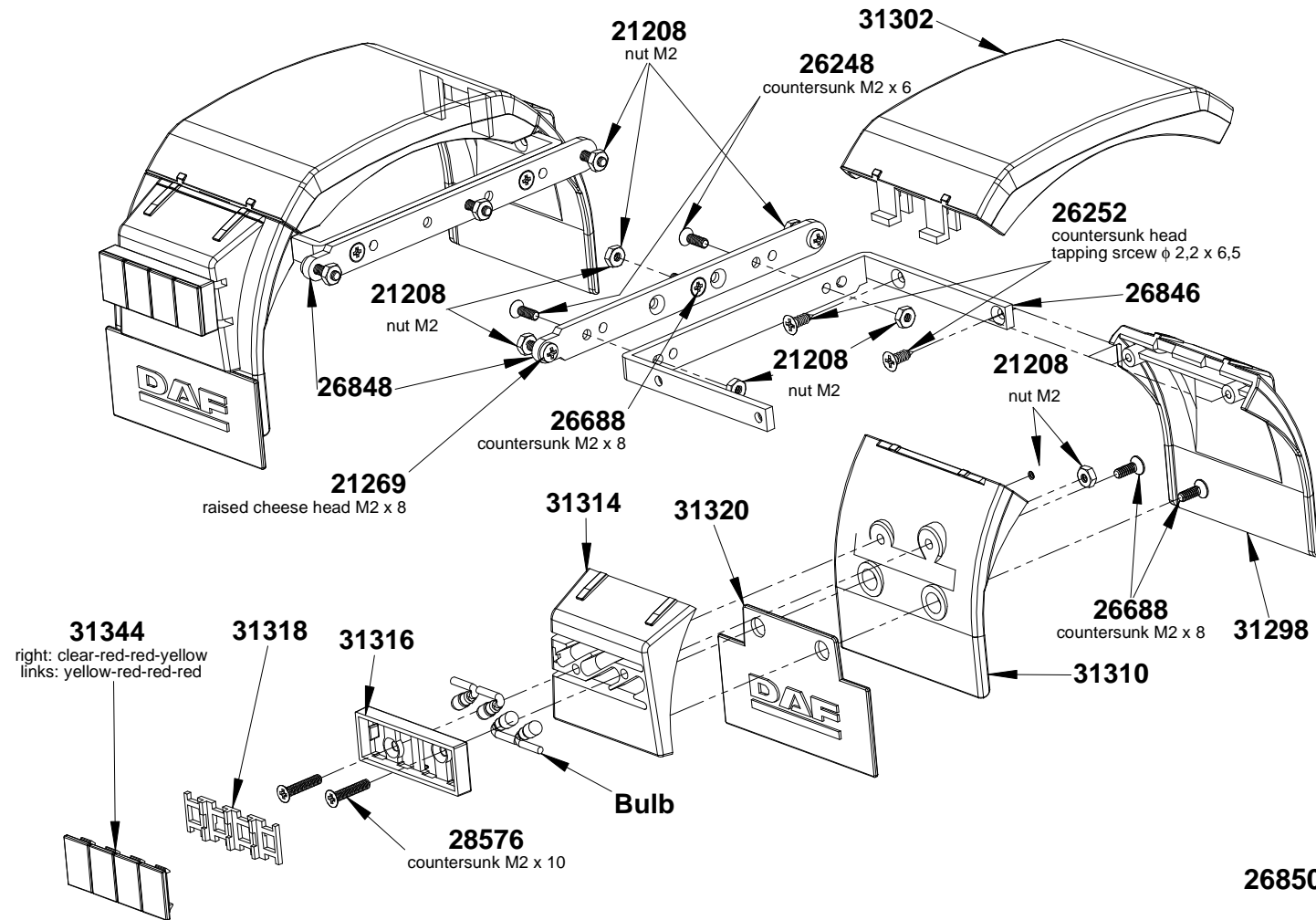
Assembly step 10.3 Mud guard only

Qty.	No	Assembly part
4	21208	Nut M2
12	21210	Washer Ø 2,2
2	21269	Raised cheese head screw M2 x 8
4	26236	Raised cheese head screw M2 x 4
2	31234	Mud guard
1	31416	Holder mud guard right
1	31418	Holder mud guard left

Accessories mud guard – back light

Single axle No.: 861
Double axle No.: 862

III 11.1



11 Mounting

11.1 Mud guard – back light single axle (III 11.1)

Start with the assembly of the mud flap **31320**. Push the bore holes in the mud flap over the pins of the mud guard lamp support **31314**.

If you wish to install a lighting, insert the 4 bulbs into the mud guard lamp support **31314** right now. Tear the ends of the wire upwards or downwards and then to the frame, i.e. at the left mud guard (seen from behind) tear to the right side. Now the bulbs are fixed to the support covering **31316** with 2 countersunk screws **28576** M2 x 10 and 2 nuts **21208** M2. In order to secure the mud guards tighten 2 countersunk screws **26688** M2 x 8 from backwards into the light frame.

After the lights' covering **31318** has been clipped into the right mud guard, insert from left to right: 1 reversing light lens, clear - 2 stop light lenses, red - 1 blinker lens, yellow. At the left mud guard insert from left to right: 1 blinker lens, yellow - 2 stop light lenses, red - 1 fog lamp lens, red.

Next the fixing plate for support **26848** is mounted to the chassis. From the backside (2 countersunk bore holes) 2 countersunk screws **26248** M2 x 6 are inserted and fixed with a drop of glue. The fixing plate for support **26848** is now mounted to the frame with 2 raised cheese head screws **21269** M2 x 8 and 1 countersunk screw **26688** M2 x 8, starting at the 3rd hole from backwards. The existing screws of the chassis assembly set have to be exchanged. The thread ends of the countersunk screws jut out forwards.

The pre-mounted mud guards are fixed to the support of mud guard **26846** (U-shaped clamp). Two countersunk head tapping screws **26252** 2,2 x 6,5 are tightened slightly. The top part of the mud guard **31302** is now put on. All parts are in the right place the countersunk head tapping screws **26252** 2,2 x 6,5 can be tightened. Now the complete unit is pushed

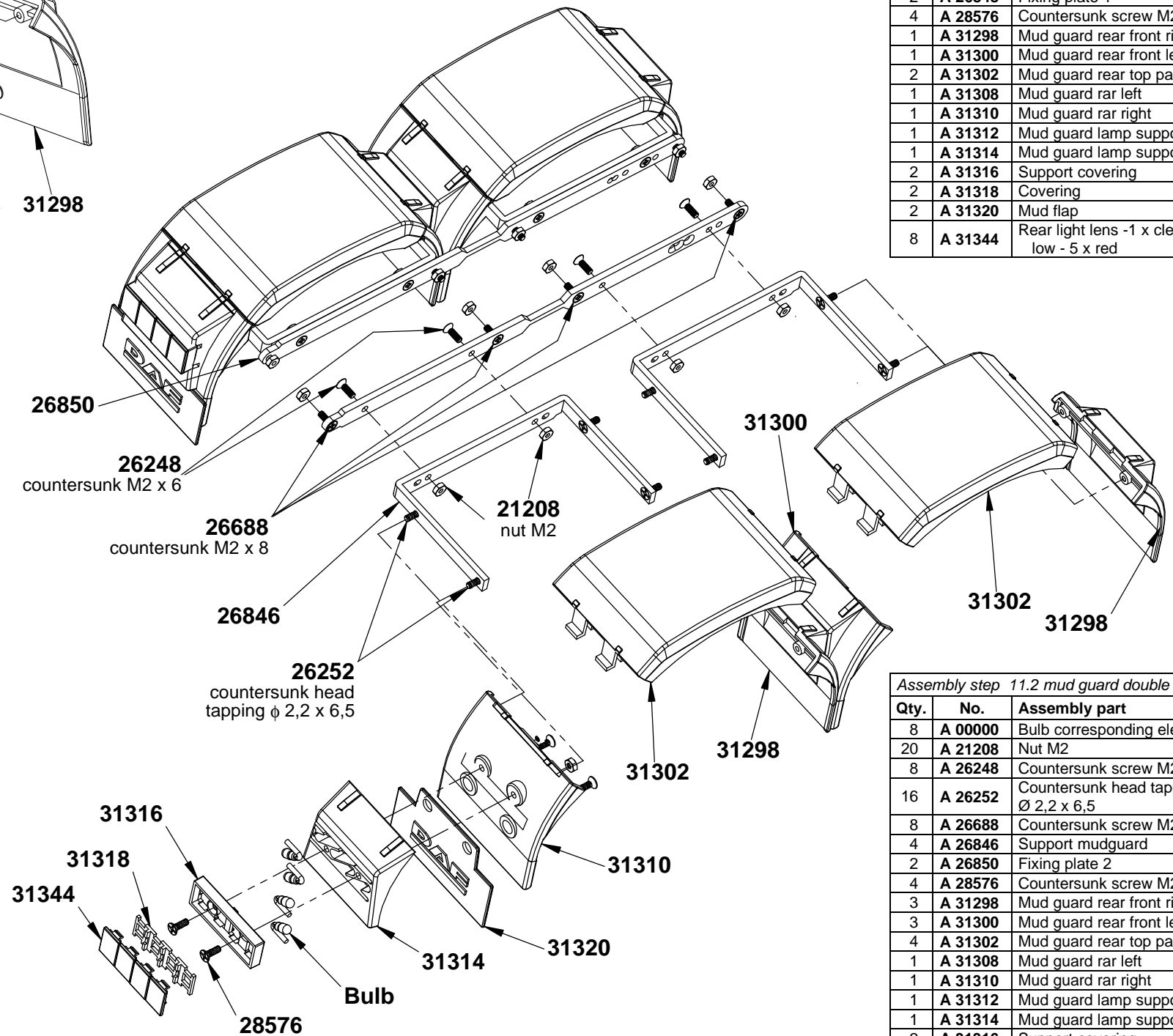
Over the free thread ends at the frame and secured with 2 nuts **21208** M2.
Mud guard lamp support **31314**.

11.2 Mud guard – back light - double axle (III 11.2)

The assembly of the mud guards of the double axle is similar. The back part is mounted in the same way as the single mud guard (mud flap and rear lights) .

At the front mud guard of the double axle you have to mount 1 mud guard rear front left **31300** (inside marked no.1), 1 mud guard rear front right **31298** (inside marked no. 2) and the rear mud guard top part **31302** with 4 countersunk screws **26252** Ø 2,2 x 6,5 to the fixing plate **26850**. The assembly to the frame is done in the same way as with the single mud guard.

III 11.2



DAF XF 105 Drivers CAB
Completion of assembly groups

Assembly step 11.1 mud guard single axle

Qty.	No.	Assembly part
8	A 00000	Bulb corresponding electronic
14	A 21208	Nut M2
4	A 21269	Raised cheese head screw M2 x 8
4	A 26248	Countersunk screw M2 x 6
8	A 26252	Countersunk head tapping screw Ø 2,2 x 6,5
6	A 26688	Countersunk screw M2 x 8
2	A 26846	Support mudguard
2	A 26848	Fixing plate 1
4	A 28576	Countersunk screw M2 x 10
1	A 31298	Mud guard rear front right
1	A 31300	Mud guard rear front left
2	A 31302	Mud guard rear top part
1	A 31308	Mud guard rear left
1	A 31310	Mud guard rear right
1	A 31312	Mud guard lamp support left
1	A 31314	Mud guard lamp support right
2	A 31316	Support covering
2	A 31318	Covering
2	A 31320	Mud flap
8	A 31344	Rear light lens -1 x clear - 2 x yellow - 5 x red

Assembly step 11.2 mud guard double axle

Qty.	No.	Assembly part
8	A 00000	Bulb corresponding electronic
20	A 21208	Nut M2
8	A 26248	Countersunk screw M2 x 6
16	A 26252	Countersunk head tapping screw Ø 2,2 x 6,5
8	A 26688	Countersunk screw M2 x 8
4	A 26846	Support mudguard
2	A 26850	Fixing plate 2
4	A 28576	Countersunk screw M2 x 10
3	A 31298	Mud guard rear front right
3	A 31300	Mud guard rear front left
4	A 31302	Mud guard rear top part
1	A 31308	Mud guard rear left
1	A 31310	Mud guard rear right
1	A 31312	Mud guard lamp support left
1	A 31314	Mud guard lamp support right
2	A 31316	Support covering
2	A 31318	Covering
2	A 31320	Mud flap
8	A 31344	Rear light lens -1 x clear - 2 x yellow - 5 x red